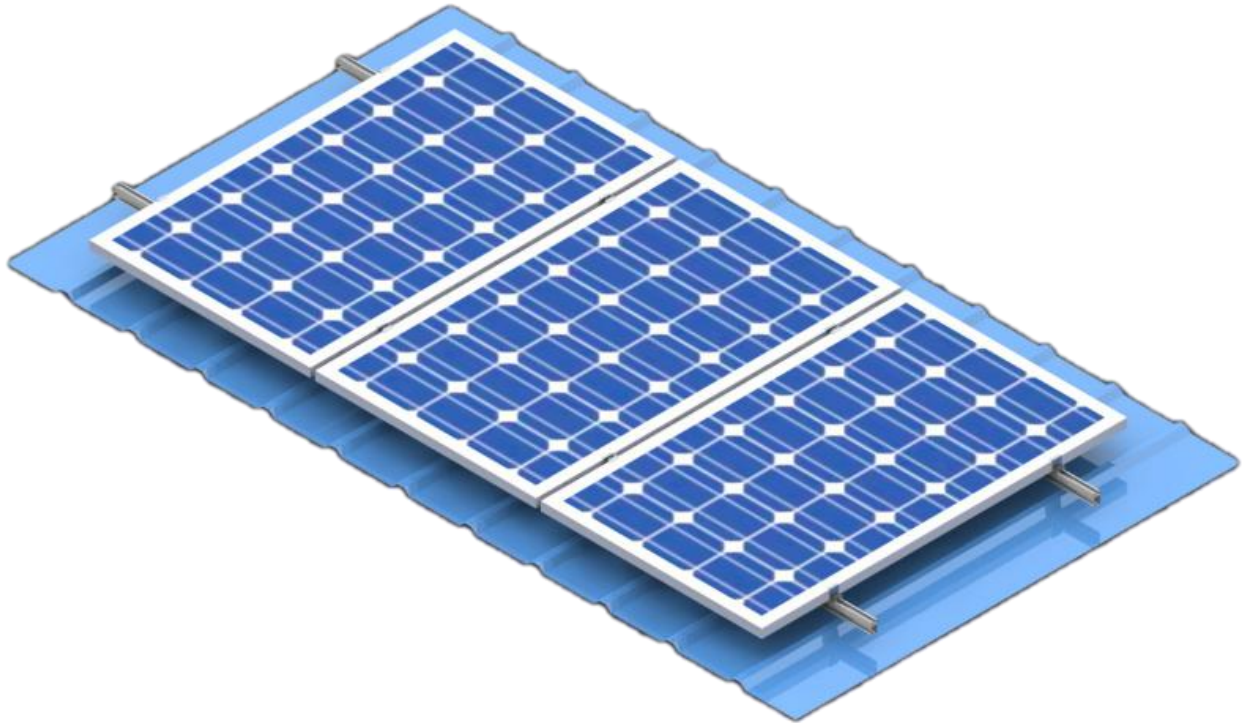
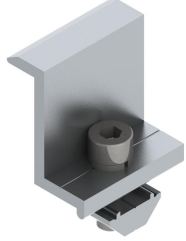






Installation Manual



1.Components

Item	End clamp	Mid clamp	L feet Group	W50 Rail	W50 Splice
Picture					

2. Installation Tool

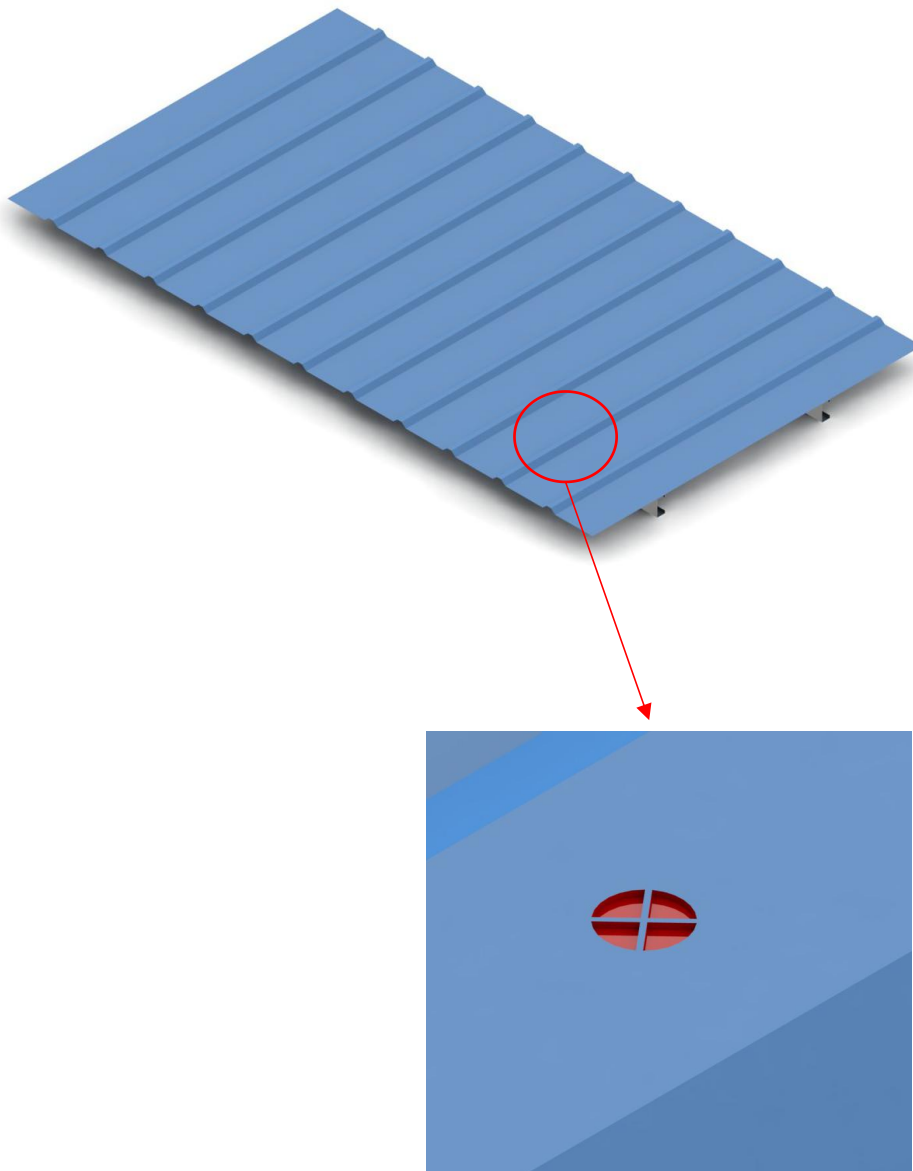
Hex Socket Wrench	Tape Measure	Electrical Drill	Marker
			



3. Structure Installation

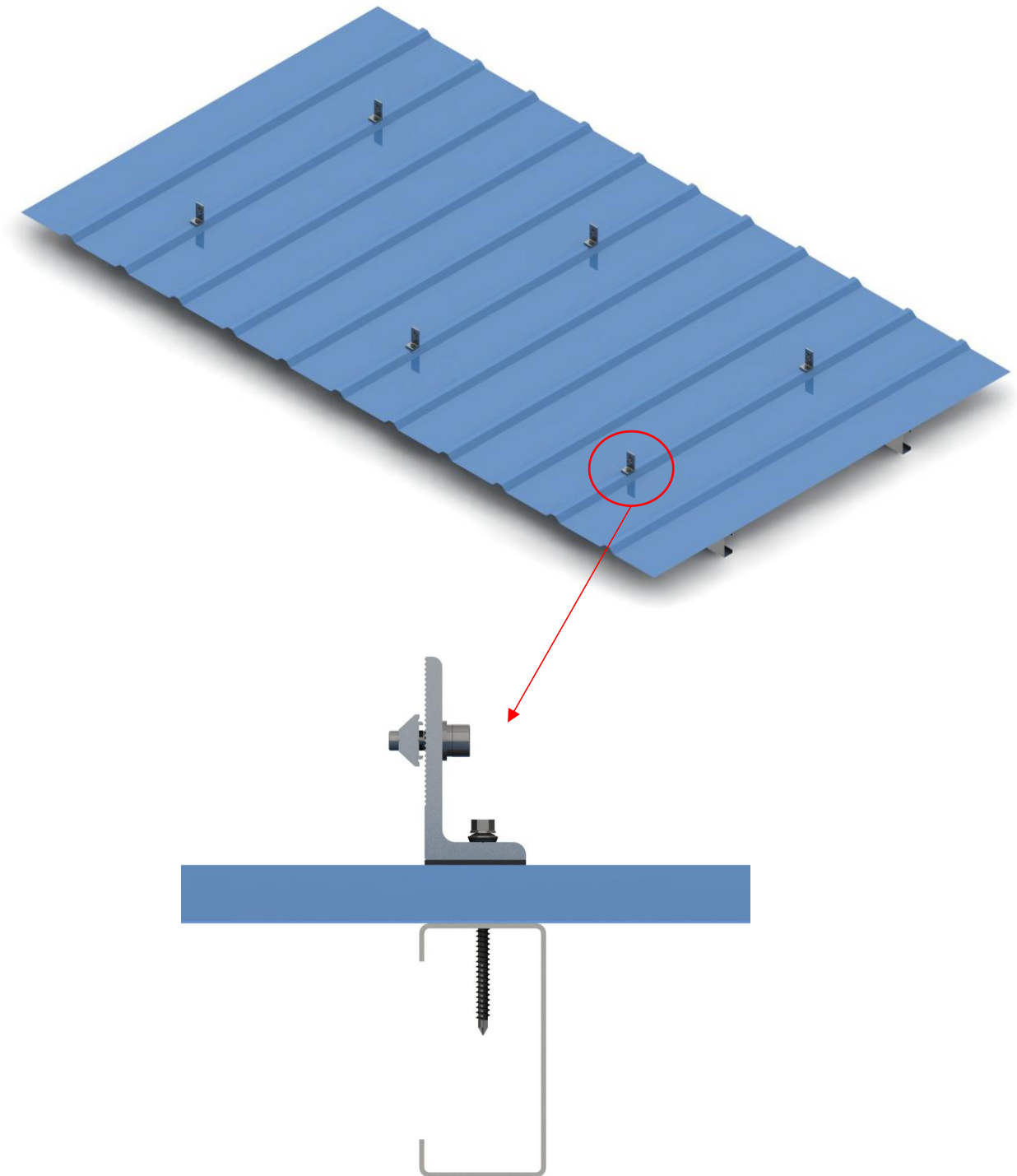
3.1 Preparation

3.1.1 Mark the L feet position according to the drawing.



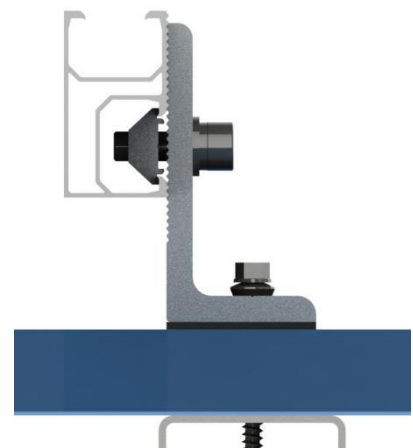
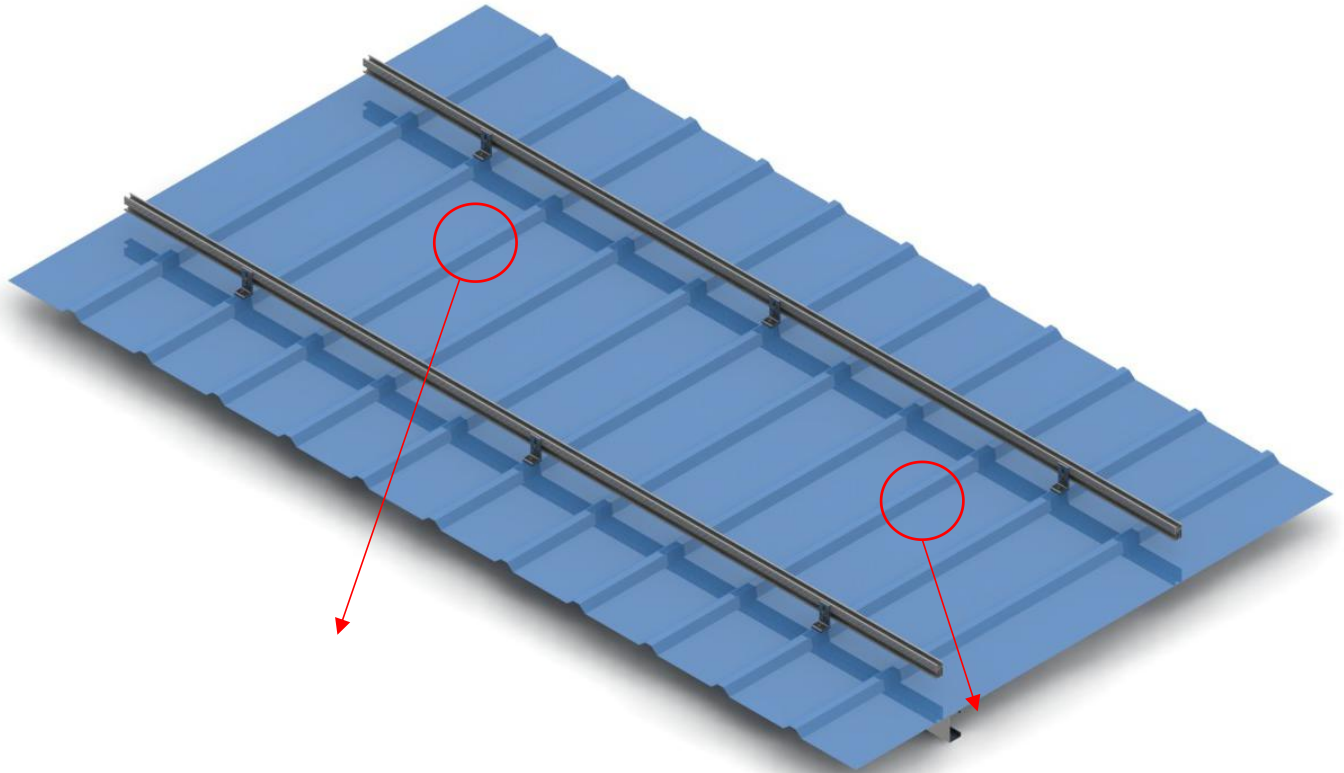
3.2 Install L feet group

- According to the hole position, fasten the L feet into roof with 6.3*80 Screws. And line the L feet in the same direction.



3.3 Installation for W50 Rail

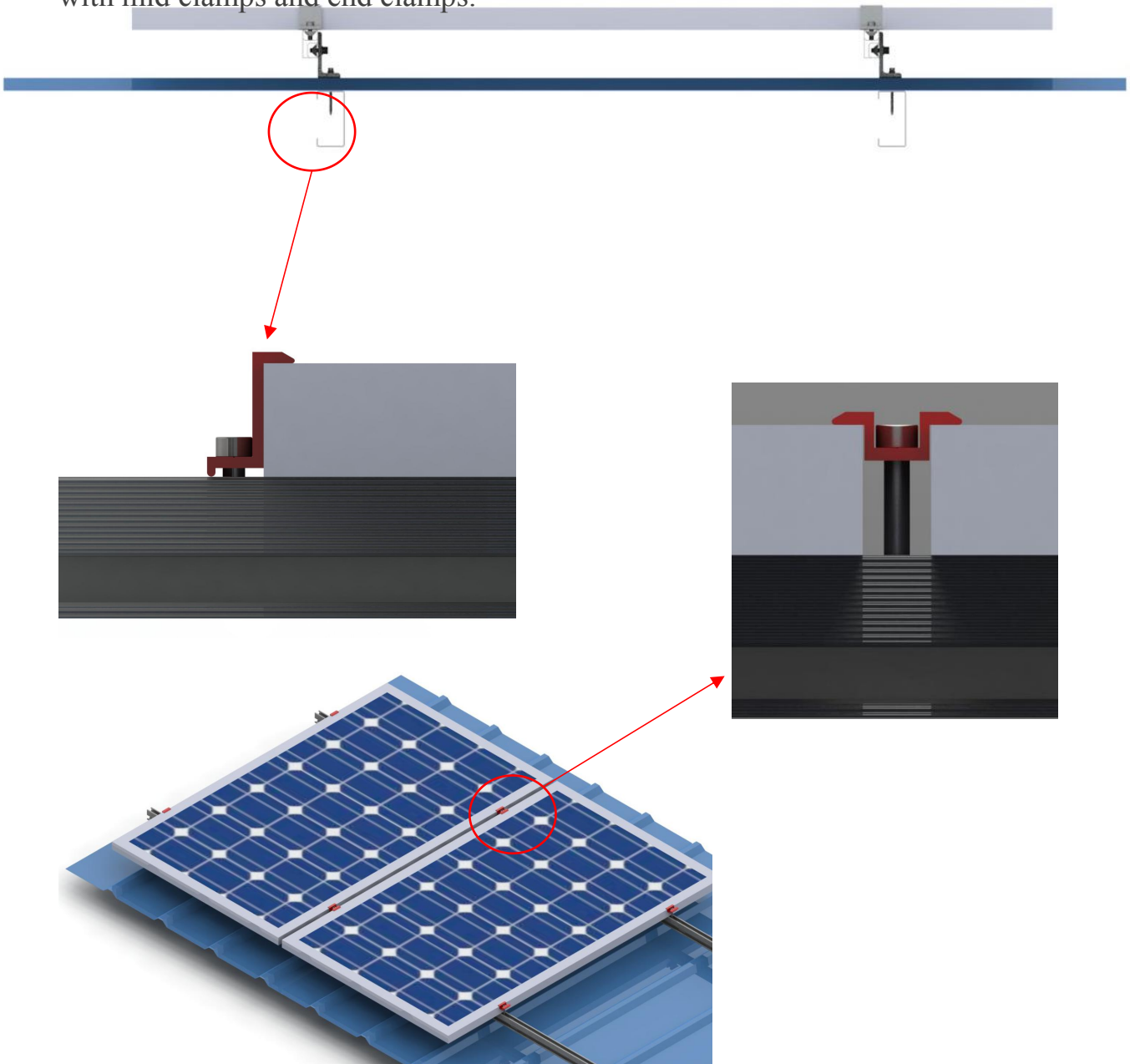
According to the drawing, fasten the W50 rail with L feet. Adjust the positions and lock the screws tight.



NOTIFICATION: FASTEN 2 PCS OF W50 RAILS WITH RAIL SPLICE.

3.4 Panel Installation

3.4.1 According to the drawing, install the panel above the W50 rail and fasten it with mid clamps and end clamps.



Adjust the positions and fasten tightly.

3.4.2 Repeat the above steps.

